

AS 600 Series

Patina™



ASDV 655

The patented ASDV range is a versatile replacement for both conventional high-bay and fluorescent lighting. This fitting operates with a 6x55W Dali compact fluorescent lamp and is ideal for mountings which are positioned at heights greater than 7 metres and/or up to 15 metres. It is also ideal for operating in damp or dusty environments, or in environments where health and safety regulations stipulate the use of enclosed fittings.

Features

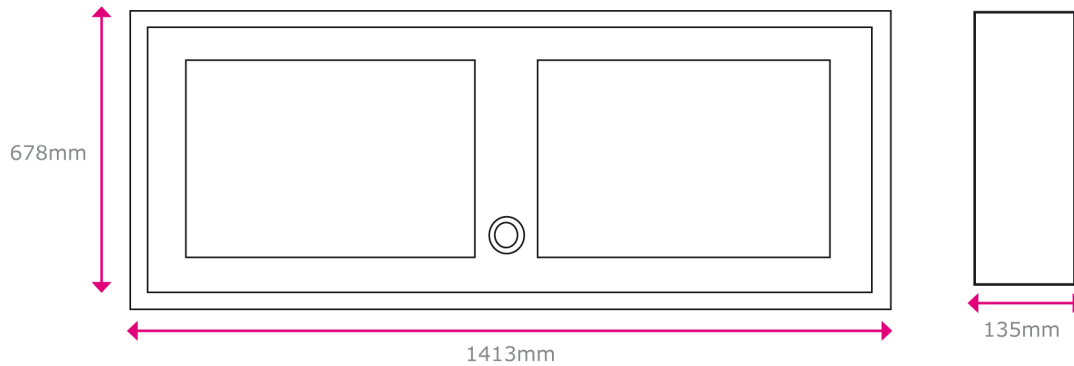
- Material: Zintec steel powder-coated
- Narrow and Medium distribution available
- Optical intergrated Dali programmable sensor providing daylight dimming and/or occupancy control
- Refl ectors: patented design in Alanod Miro 4 material
- Removable gear tray; complete with 4 pole Wago Winsta plug and socket
- Mounting surface model: four M6 eyes supplied
- Self-locking four-pin lamp holders with quick-release mechanism and stainless steel lamp stabilising clip
- Diffusers: UV-stabilised polycarbonate

Photometrics available on request

UK patent number: 2387646
ROI patent number: S83099



Specification



ASDV Technical Data

Rated Mains Voltage	220....240V
Voltage Range (AC)	198....264V
Mains Frequency	0, 50....60 Hz
Power factor	$\lambda = 0,99$
Temperature range	0°C up to +50°C
Power Consumption	339 Watts
Standard	EN 60598 Part 1 & 2
Dimensions	(L) 1413mm (W) 678mm (D) 135mm
Weight	19kg

- Patina™ is constantly developing its products. The rights is reserved to change specifications without prior notification or public announcement.