

# AS 400 Series

# Patina™



## **ASDV 455C** **Suitable for Chill / Cold Room**

The patented ASDV range is a versatile replacement for both conventional high-bay and fluorescent lighting. This fitting operates with 4x55W Polar Extra compact fluorescent lamps and is ideal for mountings which are positioned at heights greater than 4.5 metres and/or up to 15 metres. It is also ideal for operating in damp or dusty environments, or in environments where temperatures are low.

### **Features**

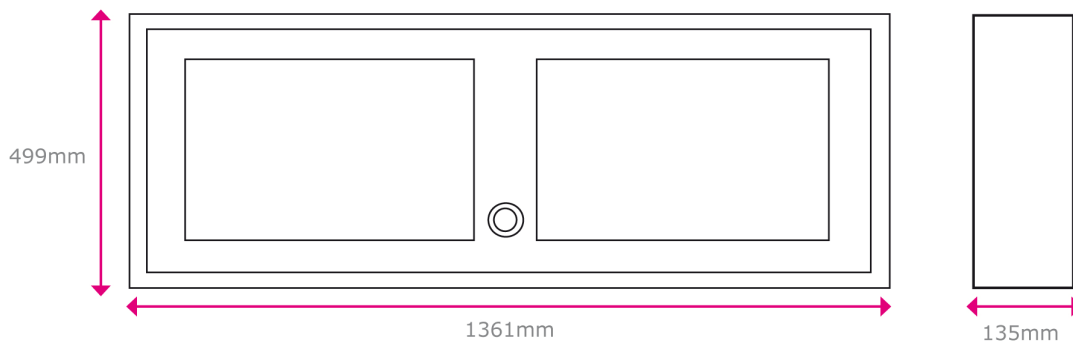
- Material: Zintec steel powder-coated
- Narrow and Medium distribution available
- Reflectors: patented design in Alanod Miro 4 material
- Removable gear tray; complete with 4 pole plug and 20mm IP66 glanded entry
- Mounting surface model: two M6 eyes supplied or recessed with frame necessary
- Four-pin push in lamp holders with stainless steel lamp stabilising clip
- Diffusers: UV-stabilised polycarbonate
- The product is not supplied with a sensor below 5°C

**Photometrics available on request**

**UK patent number: 2387646**  
**ROI patent number: S83099**



## Specification



## LETA Technical Data

Rated Mains Voltage	220....240V
Voltage Range (AC)	198....264V
Mains Frequency	0, 50....60 Hz
Power factor	$\lambda = 0,99$
Temperature range	-25°C up to +50°C
Power Consumption	226 Watts
Standard	EN 60598 Part 1 & 2
Dimensions	(L) 1361mm (W) 499mm (D) 135mm
Weight	12.7kg

- Patina™ is constantly developing its products. The right is reserved to change specifications without prior notification or public announcement.