



ASR

The ASR Series from Patina™ has been designed for the commercial and retail environments. An intelligent optically efficient range of luminaires for new build and retrofit applications. The ASR series will accommodate a multitude of lamp and ballast options to optimise performance. The ASR series will provide superior vertical illumination in conjunction with UV-stabilised Patina™ Deglaring LZV Prism material.

Utilizing Patina's *Intallect* control system further energy saving enhancements can be achieved through daylight saving/ occupancy control and unique *Intallect* programs while also in conjunction with optional integrated controls, provide energy savings in excess of 70% in most cases.

Features

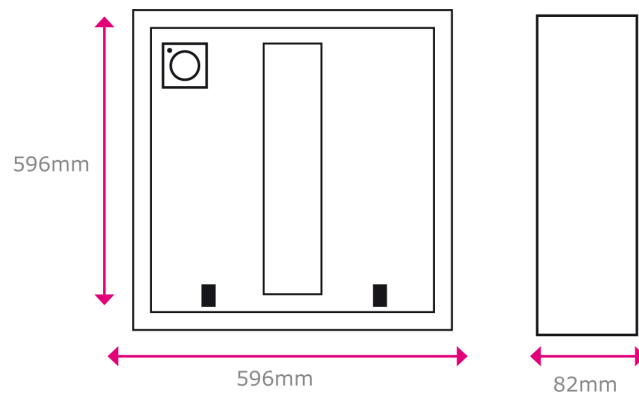
- Material: Zintec steel powder-coated
- Numerous lamp, ballast and body styles available.
- Designed for easy installation to exposed T grid ceilings in 1200mm x 600mm & 600mm x 600mm configurations
- Surface mounted 1200mm x 300mm also available
- Optical integrated Dali programmable sensor providing daylight dimming and/or occupancy control
- Reflectors: patented design in Alanod material
- Easy installation, luminaire complete with 4 pole Wago Winsta plug and socket
- Diffusers: UV-stabilised Patina™ Deglaring LZV Prism material

Photometrics available on request

Patent Pending



Specification



ASR Technical Data

Rated Mains Voltage	220....240V
Voltage Range (AC)	198....264V
Mains Frequency	0, 50....60 Hz
Power factor	$\lambda = 0,95$
Temperature range	+10°C up to +50°C
Power Consumption	30 Watts
Standard	EN 60598 Part 1 & 2
Dimensions	(L) 596mm (W) 596mm (D) 82mm
Weight	5.9kg

- Patina™ is constantly developing its products. The rights is reserved to change specifications without prior notification or public announcement.